



7P SAE J560 Spiral Cables

These 7-pin spiral cable-plug assemblies are designed to provide a superior electrical connection between the tractor and trailer.

The uni-molded connector bodies are extremely robust providing best-in-class performance and are completely unique to the market.

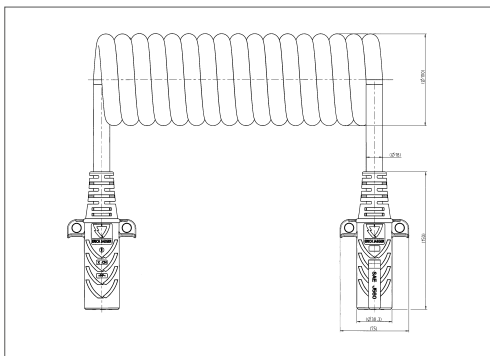
Primary and auxiliary versions are available.

Features

- High performance crimped contacts
- Uni-Molded connector body seals out water and corrosive chemicals
- Integrated strain relief provides permanent kink protection
- Resistant to diesel fuel, engine coolant, engine oil, gear oil, water, salt, dirt, UV radiation and impact



Model Types

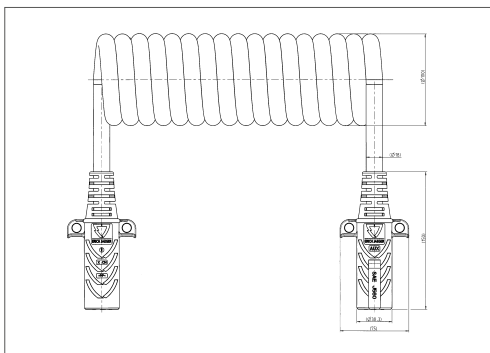


7P/12V Spiral Cable (Primary, green)
 Conductors: 4x12ga + 2x10ga + 1x8ga
 Connectors: 2x7P/12V plugs, according to SAE J560
 with molded plastic housing, molded anti kink protection

Working length	max. extension length
12 ft (3.5 m)	14 ft 9 in (4.5 m)
15 ft (4.5 m)	18 ft (5.5 m)

Article-no.

611222
611224



7P/12V Spiral Cable (Auxiliary, yellow)
 Conductors: 4x12ga + 2x10ga + 1x8ga
 Connectors: 2x7P/12V plugs, according to SAE J560-AUX (similar to ISO 3731)
 with molded plastic housing, molded anti kink protection

Working length	max. extension length
12 ft (3.5 m)	14 ft 9 in (4.5 m)
15 ft (4.5 m)	18 ft (5.5 m)

611223
611225