



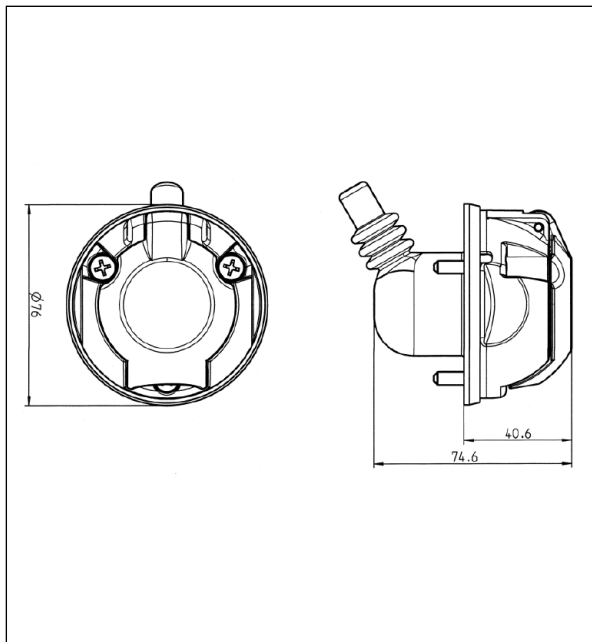
Watertight socket 7-pin 12 V, according to ISO 1724

The socket is an open interface between the user and the vehicles electrical wiring system. The current standard of ISO 1724 does not provide water protection. In current sockets, incoming water could enter into the vehicles electronic modules through capillary action of the wires and can cause enormous damage.



Therein our new generation of sockets revolutionizes the system according to ISO 1724 and offers the highest safety standards for a safe connection between vehicle and trailer.

Model Type



- Socket housing
- Contact insert (pre-locked = delivery condition)
- Single wire seal
- Seal for multi-core cables
- Contact sleeves for wire cross-sectional area 1,0 -2,5 mm²
- Screw M5x24
- Socket set, consisting of the above components

Part-no.

- 382510
- 382509
- 055632
- 034915
- 052675-4
- 053470-5
- 101371

Features

- 100% water barrier from plug side to cable harness side, even when a plug is connected
- 100% watertightness from cable harness side through single wire seals
- Easy handling for socket exchange in case of repair service
- New socket design with compatibility for all existing mounting plates
- Customer branding possible if required